

Use 3" Hole Saw  
For Bottom Outlet Use

1/2" Rebar(#4) & Wire For Staking

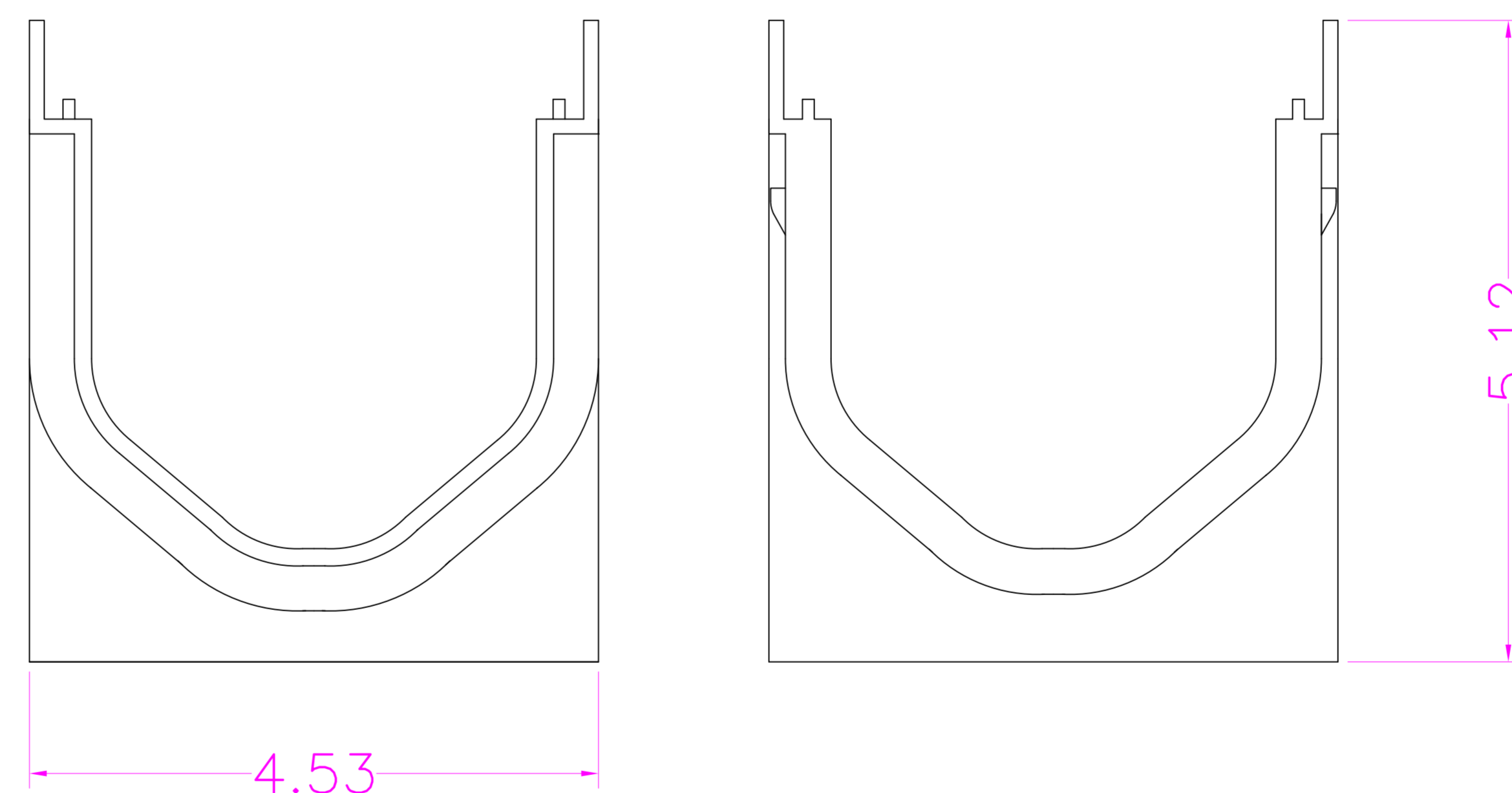
Bottom Outlet Connects To:

- 3" Sch 40
- 3" Corrugated
- 3" Sch 40 Hub
- 4" Triple Wall
- 4" Sch 40
- 4" SDR-35

Load Recommendation:

Class B

- Loads of 61-175 psi.
- Recommended for medium-duty pneumatic tire traffic, autos & light truck at speeds less than 20 mph.

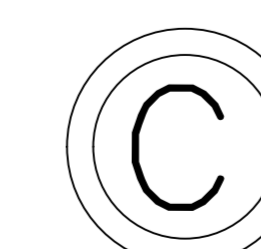


Install in concrete min. 4" all sides depth of channel

NOTES:  
MATERIAL: POLYPROPYLENE COPOLYMER  
TOLERANCES: AS INDICATED  
MARKING:  
DIMENSIONS: ALL INCHES UNLESS STATED.

Part No: FSDP-CH  
Description: 'STORMDRAIN PLUS' CHANNEL

Drawn By: T. OISTAD  
Date: 06/11/2013



300 S. DAYTON STREET  
DAVISON, MI 48423 USA  
www.fernco.com