



AQUALLA®

Technical Data Sheet | Taps

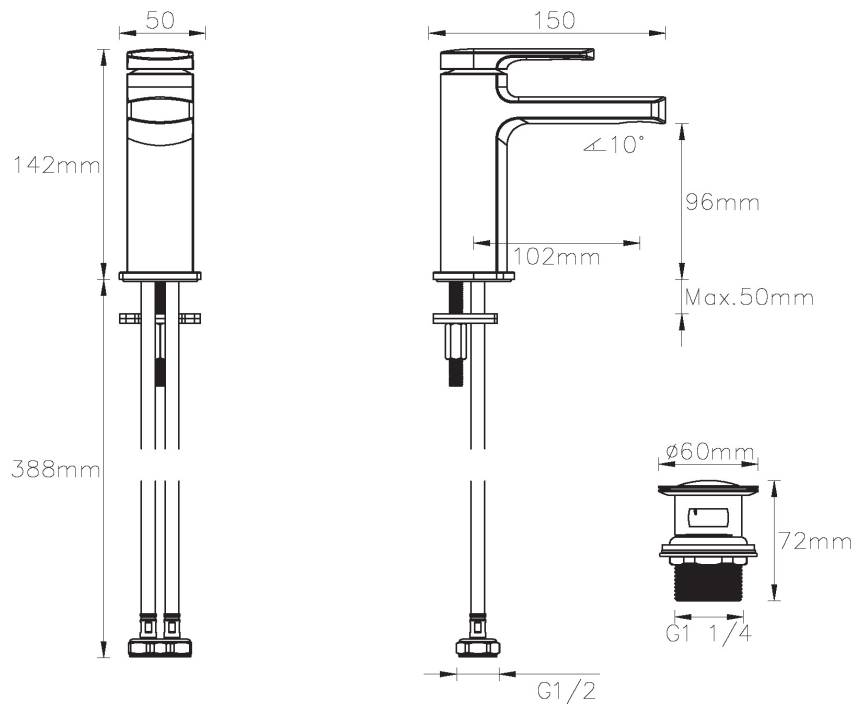
Fuse Basin Mono F-BM

Specification

Finish	Chrome, Matt Black.
Dimensions	142(h) x 50(w) x 150(d) mm
Connection	1/2"
Cartridge Size	28mm
Flow Restrictor	Yes
Min Operating Pressure	0.3 Bar
Max Operating Pressure	5.0 Bar

Flow Rates

Pressure	0.3	0.5	1
Flow Aerator	4.5	5.7	7.5



Notes

Key Features + Benefits



Years
Warranty

Aqualla Brassware

Unit 3 & 4 16 Crawfordsburn Road Newtownards County Down BT23 4EA. Technical Support – Tel: +44 (0) 28 9182 8000 Email: support@aquallabrassware.com

All information on the data sheet is correct at the time of publication. All measurements are approximate and subject to standard tolerances.